

# GOLDEN HOUR



A soft and ethereal sweater, light as a cloud that lands on the sunset. **Golden Hour** is a perfect garment for the end of winter, made with soft **Novecento**, to play with many stitches on different needles.

**Yarn:** NOVECENTO col. 1820 green

**Needle:** n.10, n.15, n.20

**Circular needle** n.10

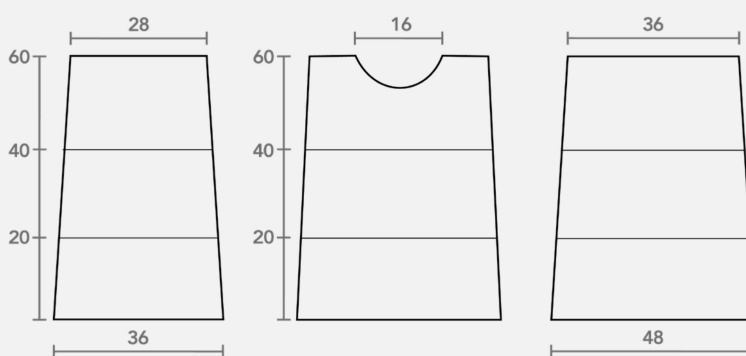
**Weight:** 285 g / 10,05 oz (6 balls)

**Stitches used:** Tubular, Stockinette Stitch, 1x1 Rib



**Gauge:** 10 cm x 10 cm (4 in. x 4 in.) = 7 stitches and 8 rows

**Size 42:** for each bigger or smaller size calculate in width 2 cm (0,75 in.) more or less, in our gauge it corresponds to 1 stitch; calculate in height 2 cm (0,75 in.) more or less, in our gauge it corresponds to 2 rows.



# GOLDEN HOUR



**Knitting the back:** Using needle n. 20, cast on 29 stitches and work in **Tubular** for 2 rows, then continue in **Stockinette Stitch**. At a total height of 20 cm (7,87 in.), start working with needle n. 15, and continue in **Stockinette Stitch** with the same number of stitches. At a total height of 40 cm (15,75 in.), start working with needle n. 10, and continue in **Stockinette Stitch** with the same number of stitches. At a total height of 60 cm (23,62 in.), bind off all stitches.



**Knitting the front:** Using needle n. 20, cast on 29 stitches and work in **Tubular** for 2 rows, then continue in **Stockinette Stitch**. At a total height of 20 cm (7,87 in.), start working with needle n. 15, and continue in **Stockinette Stitch** with the same number of stitches. At a total height of 40 cm (15,75 in.), start working with needle n. 10, and continue in **Stockinette Stitch** with the same number of stitches. Simultaneously, at a total height of 47 cm (18,50 in.), for the neckline, bind off the 7 central stitches and continue binding off at sides, 1 stitch 3 times. At a total height of 60 cm (23,62 in.), bind off all stitches.

**Sleeves:** Using needle n. 20, cast on 24 stitches and work in **Tubular** for 2 rows, then continue in **Stockinette Stitch**. At a total height of 20 cm (7,87 in.), start working with needle n. 15, and continue in **Stockinette Stitch** with the same number of stitches. At a total height of 40 cm (15,75 in.), start working with needle n. 10, and continue in **Stockinette Stitch** with the same number of stitches. At a total height of 60 cm (23,62 in.), bind off all stitches. Make other sleeve as first one.

**Finishing:** Sew the shoulders, hips, underarms and apply the sleeves. For the neck, with circular needle n. 10, pick up the stitches of back neckline and front neckline, and work in **1x1 Rib** for 4 rows, then bind off.